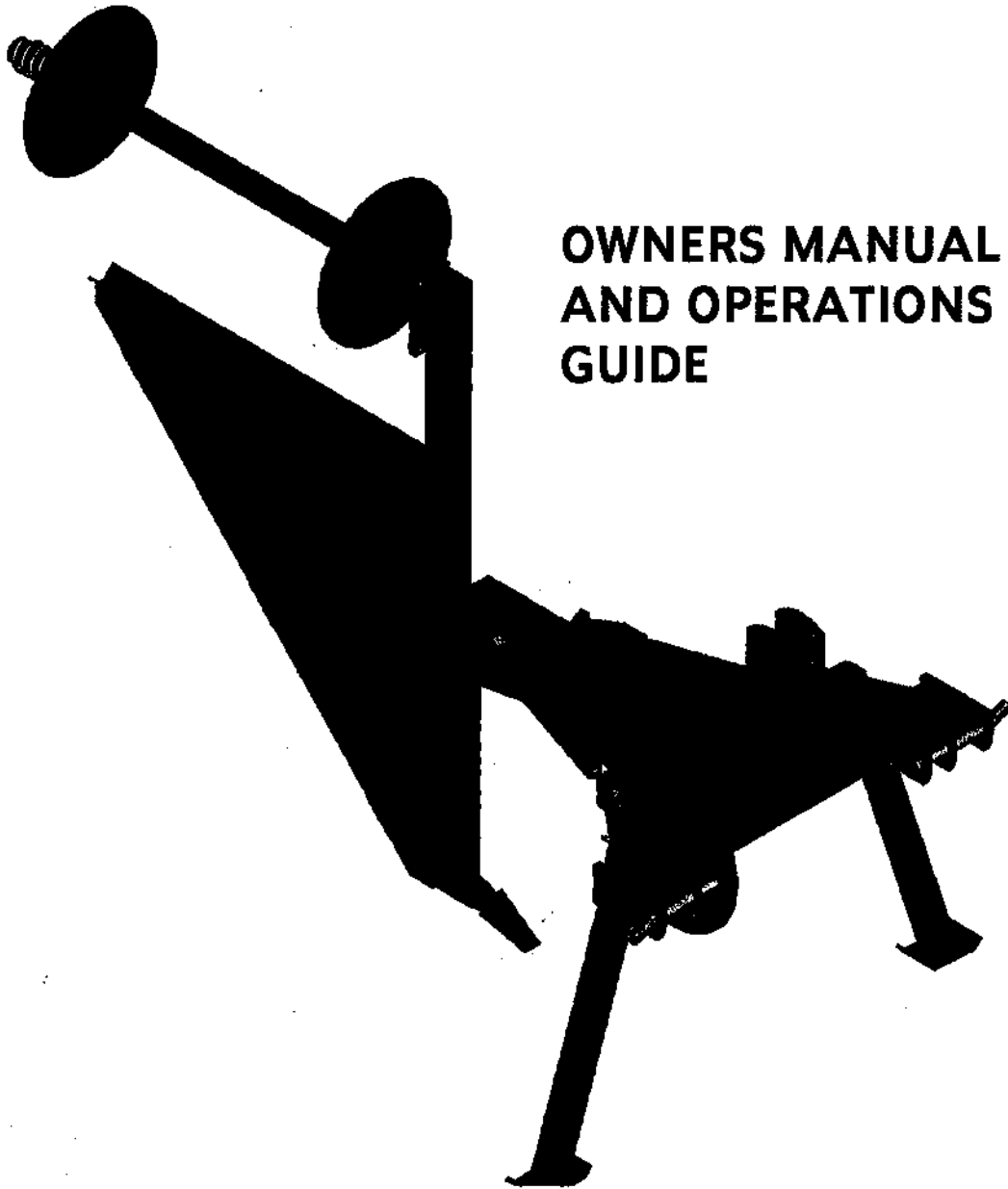


"THE SILT FENCE PLOW"

PATENTS

#7,144,202 #7,044,689
#D502470 #D504134



**OWNERS MANUAL
AND OPERATIONS
GUIDE**

McCORMICK EQUIPMENT

PLEASANTVILLE, IOWA 50225

Phone: (515)-669-3427

www.mccormickequipment.com

Thank You

Thank you for purchasing "The Silt Fence Plow". Our goal is to provide a machine that will provide years of effective, trouble free use. As of this writing we have made 50 different changes since we started making "The Silt Fence Plow". Most of the changes we have made were suggestions by contractors who told us the machine would work better if we could change the way the machine was built. We are always looking for ways to improve our products and if you have one do not hesitate to contact us and tell us your thoughts.

We also have a number of calls from people who need silt fence installed but don't want to install the fence or have time to and would like to know if there is a contractor in their area who has one of our machines that they could hire and do the work for them. If you would like to be listed on our website as a contractor who uses our products please send us a picture of your firm using "The Silt Fence Plow" and tell us why you like the machine. We will send you a proof of the testimonial for your ok before it is used.

Send To:

McCormick Equipment
185 Hwy. 92
Pleasantville, Iowa 50225

E-mail mccormick01@netzero.com

If you ever have any questions about "The Silt Fence Plow" or need any help using the machine feel free to contact us at 1-515-669-3427 anytime.

General Information

The information used in this manual was current at the time of printing. However, due to McCormick Equipments continual attempt to improve its product, production changes may cause your machine to appear slightly different in detail. McCormick Equipment reserves the right to change the specifications or design without notice and without incurring any obligation to install the same on machines previously manufactured.

Right hand (RH) and left hand (LH) as used throughout this manual, are determined by facing in the direction the machine will travel when in use unless otherwise stated.

Product Warranty

McCormick Equipment warrants its own manufactured products to be free from defects in material and workmanship for a period of 90 days from the date of delivery to the original purchaser. Products not of our manufacture are warranted only to the extent of the original equipment manufactures warranty and subject to their allowances to us.

Lubrication And Maintenance

“The Silt Fence Plow” has 3 grease fittings. The pivot pin on the rear pivot must be greased daily when in use. The coulter has one grease fitting on the coulter hub and one grease fitting on the pivot shaft with the spring. The grease fittings on the coulter require grease weekly. It is very important that the grease fitting on the rear pivot of the machine be greased every day it is used. If the pin is run dry the bushings will become scored and an excessive amount of play will result.

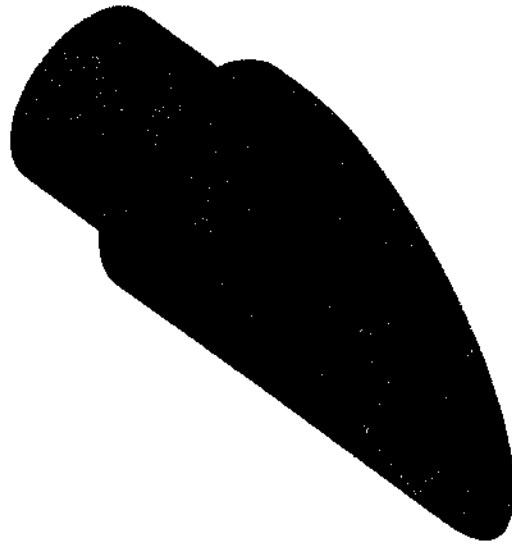
Cutting Knife Point

The cutting knife point will wear down with usage and the amount of wear is directly associated with the abrasiveness of the dirt the machine is working in. When the knife becomes worn down the machine will not penetrate the ground easily. To build the knife point back up simply take use a welder and build the point up until it is sharp and even. After you have built it up with weld take a hard surfacing rod and hard surface the wear area of the knife point beyond the original wear. How the knife point wears will be directly affected by the type of dirt the machine operated in.

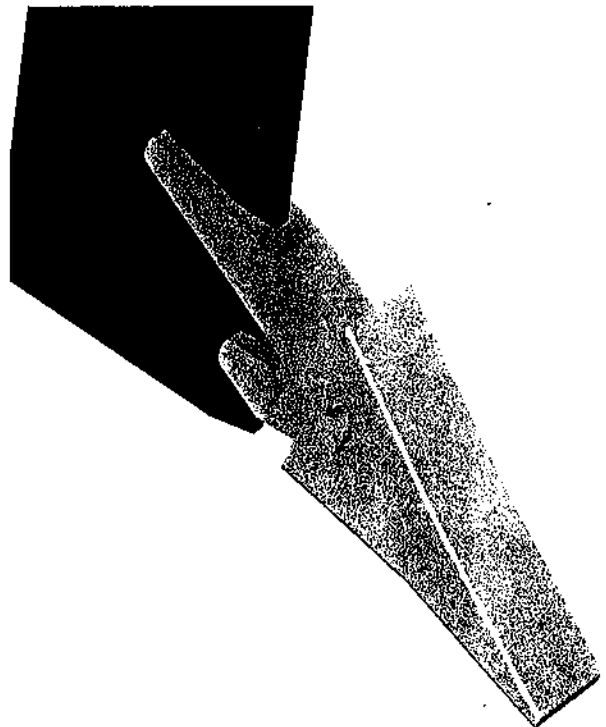
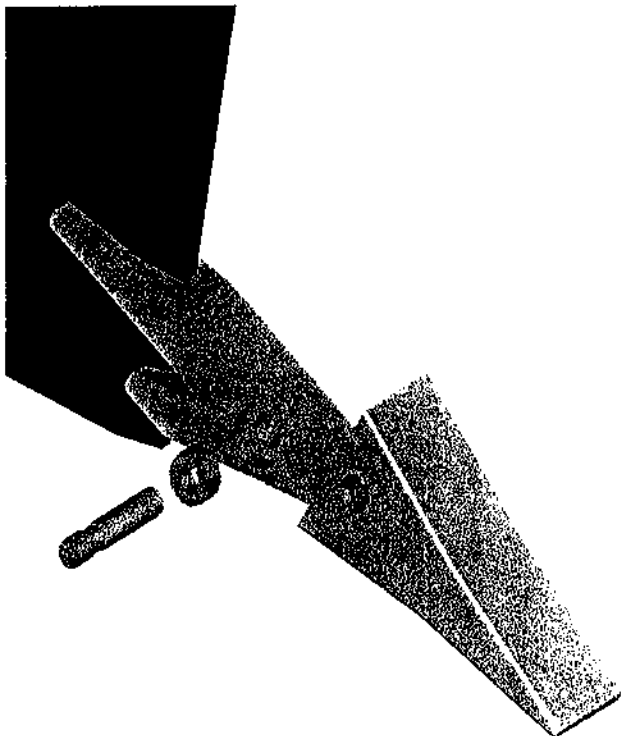
Replaceable Cutting Knife Point

The replaceable cutting knife point can be replaced by removing the roll pin and replacing the knife point with a new knife point.

Old Style Knife Point



New Style Knife Point



Helpful tips for using “The Silt Fence Plow”™

“The Silt Fence Plow” installs fabric into the ground by its unique positive feed design. The ground grabs the fabric and as the machine moves forward it installs the fabric at a uniform depth tightly in the ground.

Fabric Material

Always try to use fabric that is tightly and evenly rolled. If the fabric is loose or telescoped it may feed off the fabric roll uneven. Do not use 2nds material (material that is uneven in its thickness throughout the roll). You can use the above materials although they may or may not cause problems installing the material.

Hard Ground-Egg shaped fabric

When using the machine in hard very dry ground , starting a new roll of fabric, using an egg shaped roll of fabric, or anytime you want the fabric to start easier unroll the fabric and leave some slack in the fabric above the fabric chute. This will allow the ground to grab more of the fabric before the roll of material starts turning. Also if the ground is extremely hard you may need to tilt the knife point down with the hydraulic top link cylinder to allow the machine to penetrate the ground quicker.

www.thesiltfenceplow.com

515-669-3427

Turning

The rear pivot design of "The Silt Fence Plow" allows the machine to install silt fence in a radius as tight as the power unit pulling the machine can turn. We do not recommend braking the tractor to the point of pushing the machine hard against the turn stops on the main frame. When given a choice of what direction to turn the material will feed out of the fabric chute easier when turning to the left than turning to the right. The machine can make turns to the right just as easy as the left although when turning sharply to the right in some dirt the fabric may try to pull out of the slot. If someone walks beside the machine and helps the fabric by not letting the fabric get too tight or takes a spade and pushes the fabric down in the slot this problem can be alleviated. It will not do it in all conditions when turning right.

Setting the desired depth of fabric installation

On most tractors with 3pt. hitches there is a setting for the 3pt. hitch. If your machine does not have this or it is inoperable contact your local tractor dealer and they can help set the control. After you have the desired depth set you can simply drop the 3pt. lever and the machine will drop into the ground to the set operating depth. When going through ruts or severe swales you may need to raise or lower the machine to maintain the desired depth of installation. When using a skid loader you can mark the knife shank with a paint mark or hang a chain from the frame to manually maintain the desired depth of installation.

www.thesiltfenceplow.com

515-669-3427

Hydraulic Top Link Cylinder Operation

The Hydraulic top link cylinder is used in place of the rigid top link that comes with the tractor. The hydraulic top link cylinder allows the adjustment of the machine to follow the terrain of the ground as the fabric is being installed. The machine needs to run parallel to the terrain of the land to keep it from going too deep or coming out of the ground. The machine works best when run parallel with the ground. **If the machine gets tipped too far forward or too far back the fabric will not feed out of the chute properly. When the machine is tipped too far forward the fabric will be forced downward toward the bottom of the chute and the material will not be able to feed out properly.** Any Hydraulic cylinder that will fit between the tractor and the machine will work if you can get it hooked up. It must have enough stroke to allow the machine to be operated so the knife point will not be tipped too far forward. A cylinder with a 10"-12" cylinder stroke works well and a round welded cylinder is recommended because a tie rod cylinder (square with 4 bolts) will tend to break when side pressure is put on the cylinder. The top link cylinder is also used to tip the machine up during transport and to angle the knife point when starting a run into hard ground. A hydraulic top link cylinder is needed to operate "The Silt Fence Plow" properly.

When To Use And Not The Spring Loaded Cutting Coulter

The coulter can be used in most applications and must be used when installing material in areas of heavy vegetation or going through areas that have tree roots. The coulter will allow The Silt Fence Plow to pull easier through the ground in some very hard dry ground conditions. The coulter needs to be removed in rocky conditions and in some types of very soft mellow dirt due to the coulter sinking in too deep and pushing dirt instead of cutting through it.

Adjusting The Depth Of The Coulter And Removing The Coulter

The coultter depth can be adjusted by loosening the setscrew and sliding it up or down on the coultter rod until you reach your desired level of coultter depth. If you need to remove the coultter you can either loosen the setscrew and slide the coultter off the coultter rod or remove the two bolts in the frame and take off the coultter with the coultter rod. NOTE: if you leave the coultter rod on in rocky conditions a rock can come up and hit the rod and break it off.

When To Use The Fabric Curtain

The fabric curtain is used when using a non woven geotextile that is not slick like the woven geotextiles. The fabric curtain divides the fabric chute so when the fabric goes through the chute the fabric does not rub against itself. In high humidity conditions fabric may grab and try and pull the fabric downward to the bottom of the chute. The fabric curtain will eliminate the fabric grabbing itself. The only time the curtain is needed is during the installation of non woven geotextiles and in some cases the 48" and the 42" fabric chutes can benefit from the fabric curtain because of the large volume of material going through the fabric chute when installing 48" and 42" material.

www.thesiltfenceplow.com

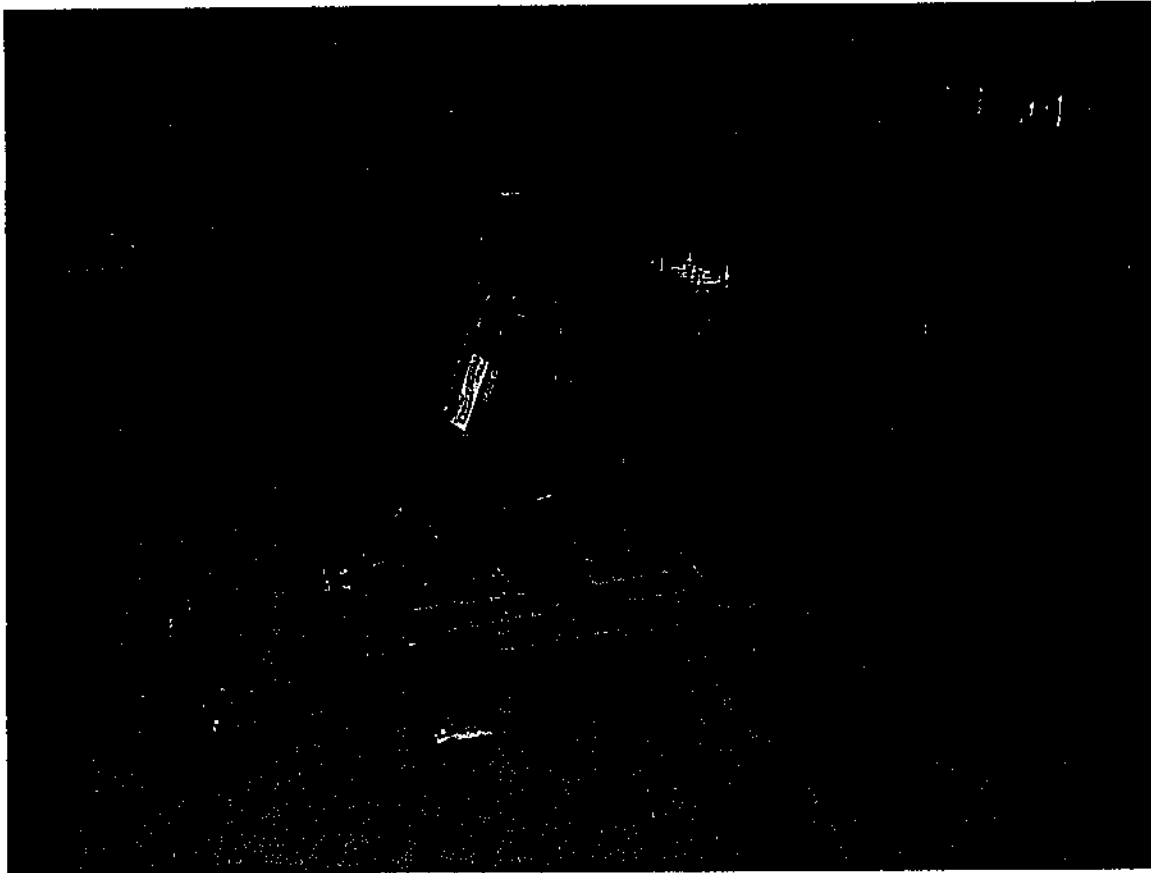
515-669-3427

Assembly Instructions

**Note: It is recommended that two or more people assemble
“The Silt Fence Plow”**

Assembly Step # 1

Check and make sure all parts are on the pallet. “The Silt Fence Plow” (if shipped to you) will come strapped to a pallet. First cut the straps and check to see if all pieces and bolts are with the machine.



**Notify McCormick Equipment if any damage to the machine
was done in the shipping process or if any pieces are missing.
515-669-3427**

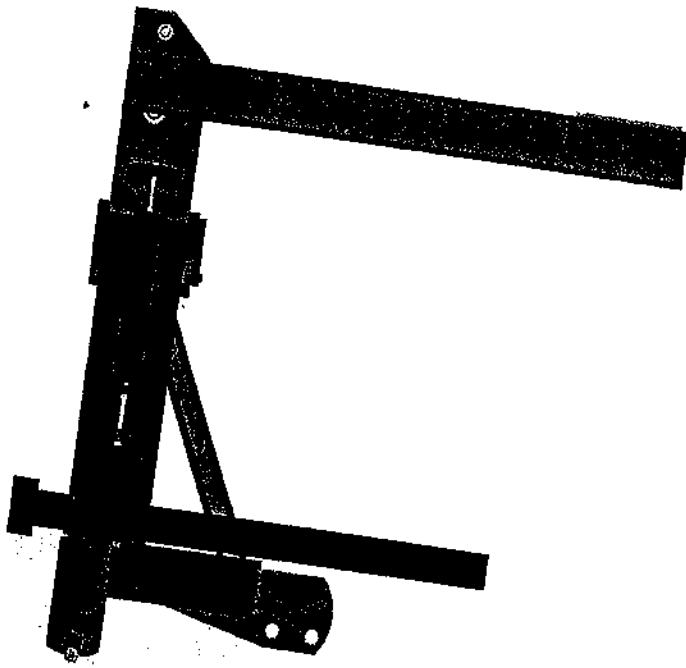


Figure 1.

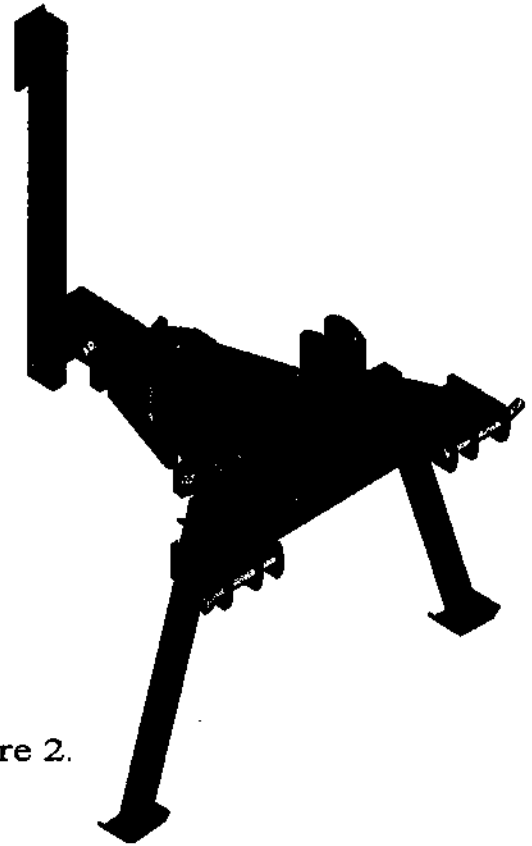


Figure 2.

Place the main frame of the machine with the 3-point hookup face down on the ground. (See Figure 1) Next remove the pins holding the stands in the upper position and slide them down into lower position and re-attach pins. (See Figure 2)

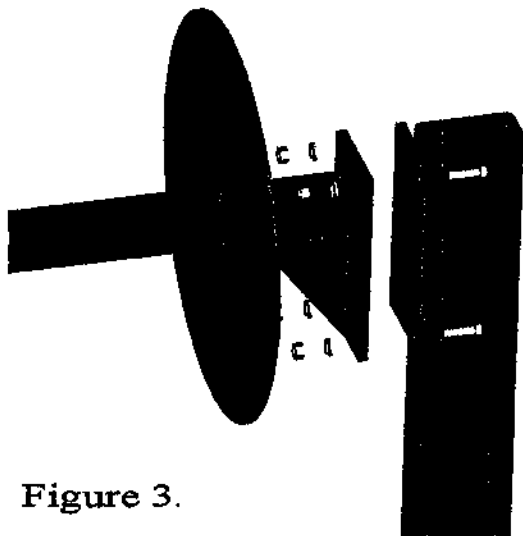


Figure 3.

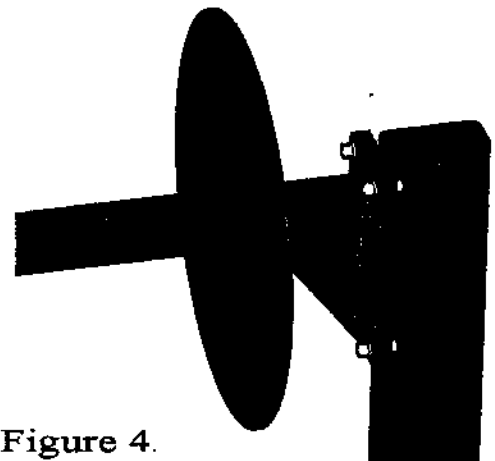


Figure 4.

Next bolt on the fabric holder with the 4-3/8 x 1 1/2 bolts with the gusset in the downward position. (See Figures 3 & 4.)

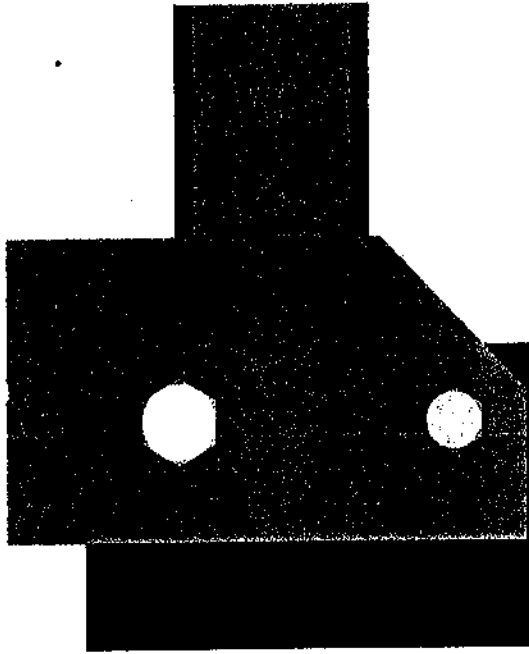


Figure 1.

Remove the main 1" X 3 1/2" bolt and the 5/8" X 3 1/2" shear bolt from the main frame. (See Figure 1)

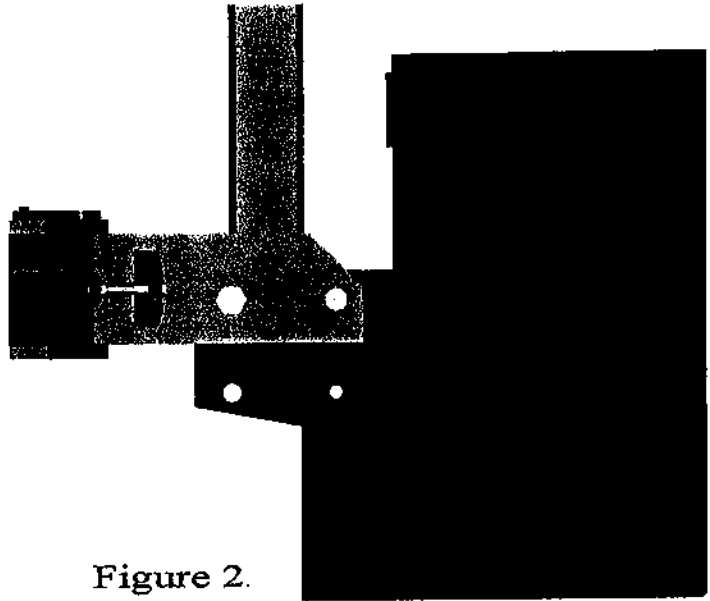


Figure 2.

Slide the knife and fabric chute assembly in the back of the main frame and reinstall bolt and tighten securely. (See Figure 2) The machine will now stand its own. (See Figure 3)

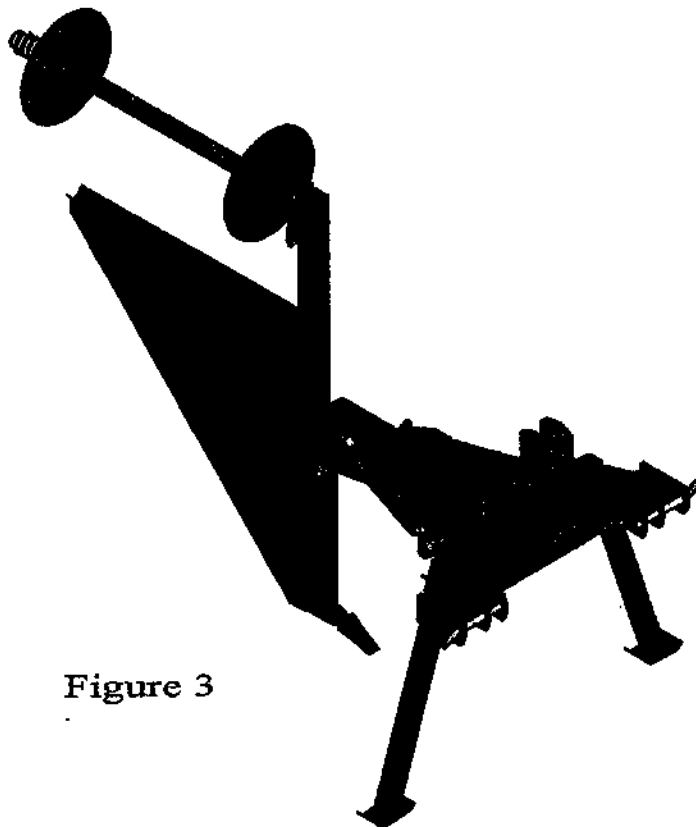
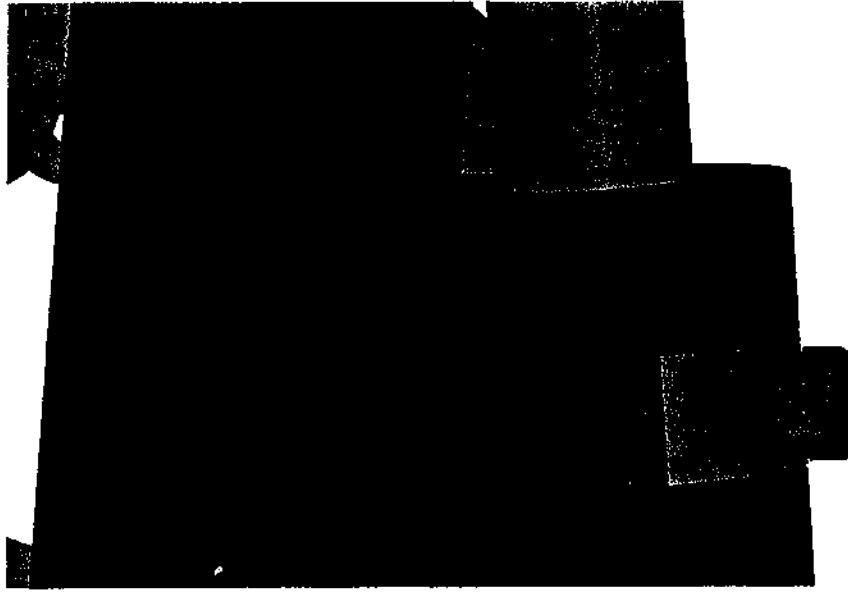


Figure 3



After the couler mounting rod is secured to the frame, slide
The couler with the spring and hub assembly on the mounting
Shaft and secure in the desired position by tightening the screw

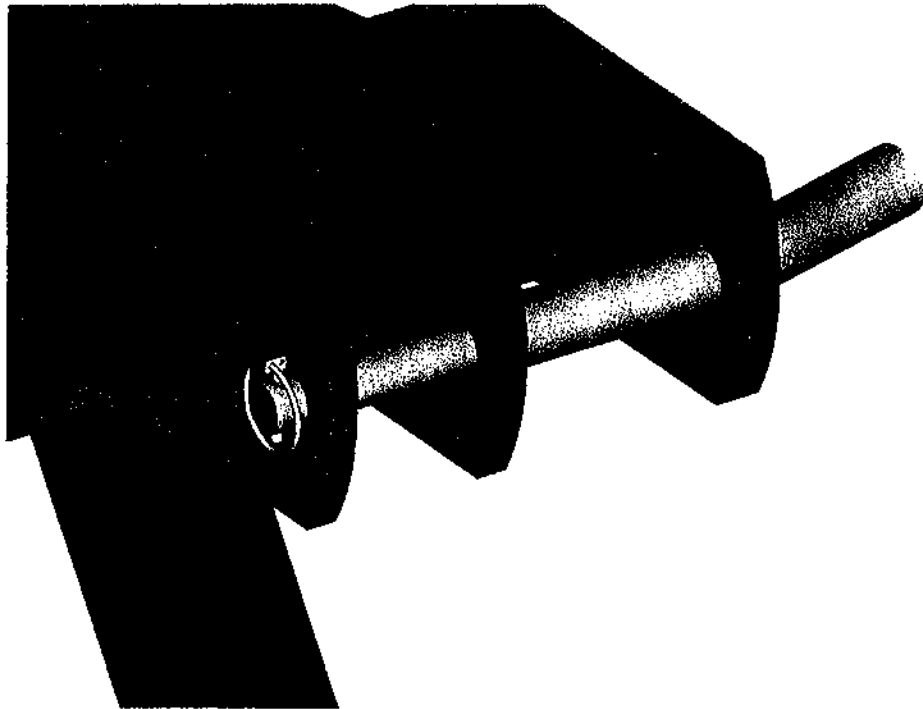
Assembly Step # 6

Installation Of The Fabric Curtain (Optional Equipment)

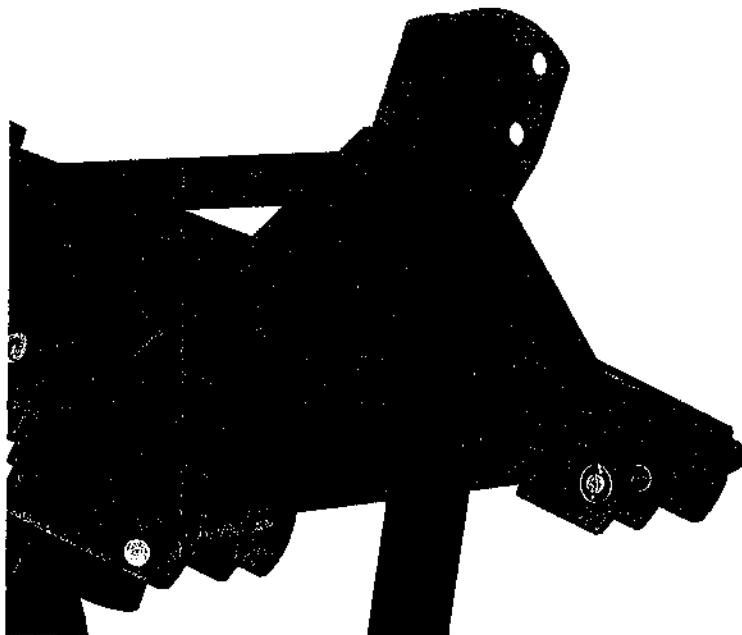
The fabric curtain is an optional item on The Silt Fence Plow. The fabric curtain is needed when using non woven material and is also can also be useful when using the 48" and the 42" fabric chutes. The purpose of the fabric curtain is to keep the fabric from rubbing against itself and pulling itself down in the chute. If the fabric curtain is ordered with the machine it will come installed in the fabric chute and can easily be taken out by removing one bolt. If it is ordered afterward you will need to put the rod at the top of the curtain in the hole in the back of the chute (some machines may not have a hole in the rear of the chute and one will be needed drilled their also) then level the rod in the top of the chute and place the front bracket on the curtain so it matches the flare of the fabric chute and drill the hole and install and tighten the bolt.



Attaching Machine To A Tractor



The Silt Fence plow" comes with a standard Cat. I & Cat. II three point hookup that is quick attach compatible. The narrower inside mounting position is for the Cat I and the wider position is for the Cat. II mounting position. The hydraulic top link cylinder is needed in place off the rigid top link on the tractor. The top or bottom hole can be used, depending on which position works best. The machine does not come with a pin for the top link due to different tractor models.



Step # 9

When you come to the end of a run you can cut the silt fence above the chute and let it feed out or you can lift the machine out of the ground and cut the fabric off outside the chute, this will eliminate the need to re-feed the fabric after each run.



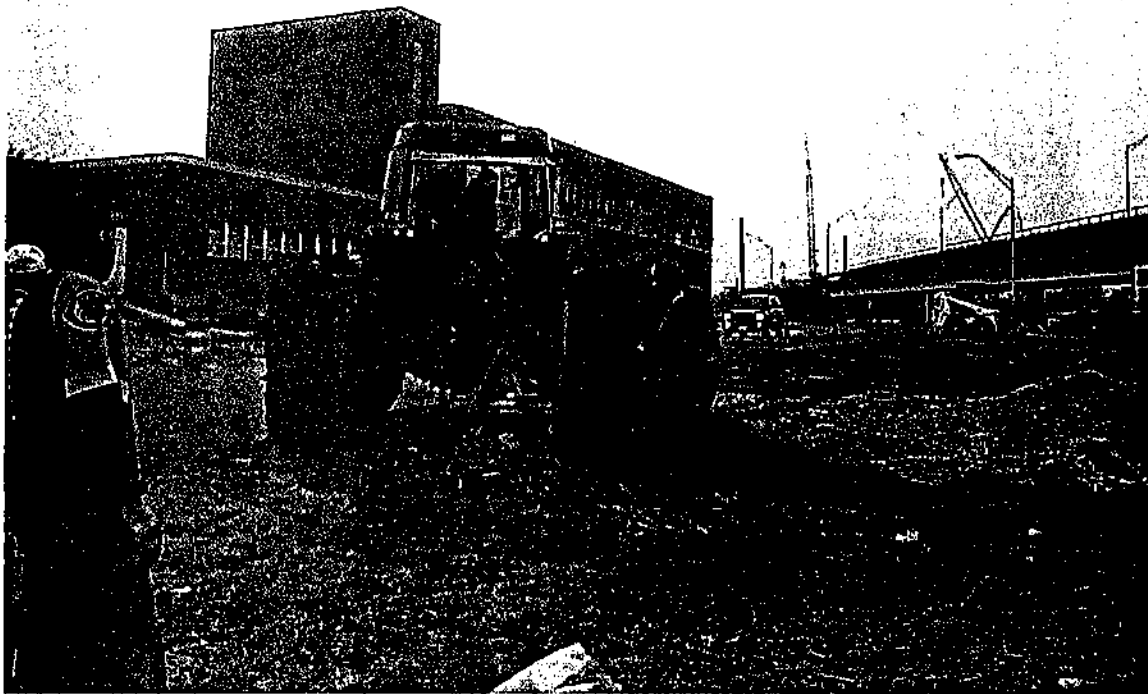
Step # 10

After the silt fence is plowed into the ground the fence needs to be wheel rolled to pack it in the ground. It is recommended that the fabric be folded over one way and drive along the side of the material and then the fabric be folded over the other way and driven on that side of the fabric also.

If you have any questions on how to use “The Silt Fence Plow” feel free to call 515-669-3427 anytime. If you do not get someone leave a message and we will get right back to you. If we do not answer it is because we are on the phone with someone else or in an area the phone doesn’t ring so please leave a message and we will return your call.

Step # 8

When turning with "The Silt Fence Plow" it is better to turn to the left (the side the fabric comes out of the chute on) if possible. Although you can turn left equally as well the fabric will feed out easier when turning to the left. When making turns the rear pivot design of the machine allows the machine to turn as sharp as the power unit pulling it can turn. We do not recommend braking the power unit and forcing the machine hard against the stops on the main frame. When turning very sharp is beneficial to have someone walk beside the machine and walk the fabric down as it comes out of the chute. In some dirt conditions the fabric will try to pull out of the ground when turning very sharp, if this happens the fabric can be put back in the slot by pushing the fabric into the slot with a spade.



Step # 6

Lower the machine into the ground moving forward to the desired depth of installation. At the point you want the silt fence to start hold on to the tail of fabric and the silt fence will begin will be installed as the machine moves forward. If there is only one person using the machine you can start the machine into the ground letting the tail of fabric drag and at the desired point the fabric needs to be started a stake can be driven into the ground and the fabric tied to it.



If you need to replace a roll during a run that is unfinished you can set the knife of the machine into the slot about ten feet back from the end and start the new roll. This will allow for plenty of overlap and give the fence extra strength in the spliced areas.

Step # 7

A Hydraulic top link cylinder is needed to keep the machines frame parallel with the ground and when going through ditches and ruts. The hydraulic top link cylinder is also used to tilt the machine during transport and when starting into hard dry ground. A hydraulic top link cylinder is required for proper operation of the machine when on a tractor. It is not used with a skid loader.

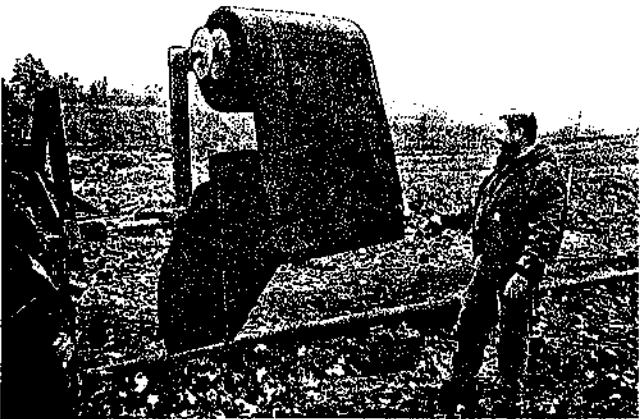
Step # 4

After the fabric is under the rod, pull the fabric out towards the front of the machine leaving plenty of slack (3' or so) and then close the door of the fabric chute.



Step # 5

After you have closed the door of the fabric chute, pull the fabric towards the back of the machine and unroll the fabric off the roll so there is slack in between the top of the fabric chute and roll of fabric. This will enable you to start the run easier because it allows the fabric to be grabbed by the ground before the roll of fabric starts turning.

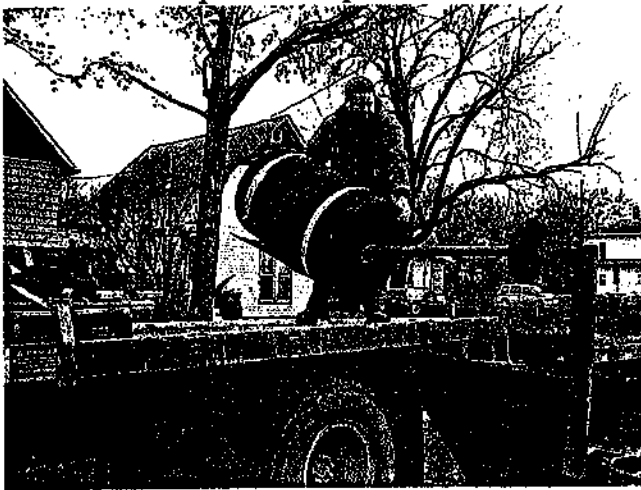


Operating “The Silt Fence Plow”

“The Silt Fence Plow” is designed to be a user friendly machine and like any other machine the more you use it the more comfortable the operator will become with it.

Step # 1

After you have the machine mounted to the tractor or skid loader install the roll of fabric on the holder so it feeds down into the fabric chute on the LH side of the machine. Next install the fabric plate and spring on the back of the roll, then adjust the tension of the spring by selecting the hole in the fabric rod to place the pin.

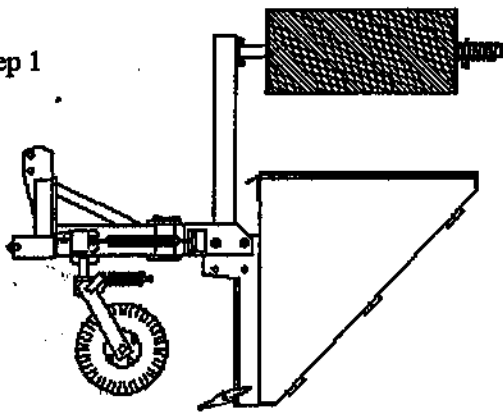


Step # 2

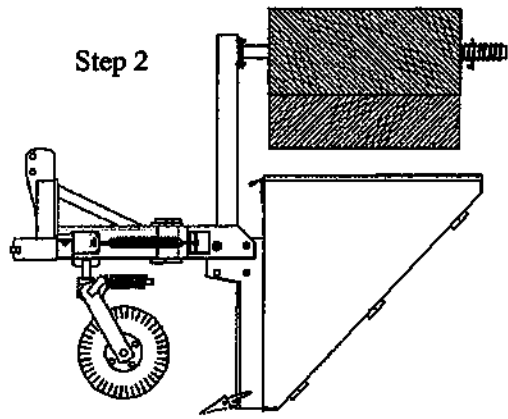
Open the door on the fabric chute and feed the fabric under the rod in the fabric chute and out the front of the machine.



Step 1

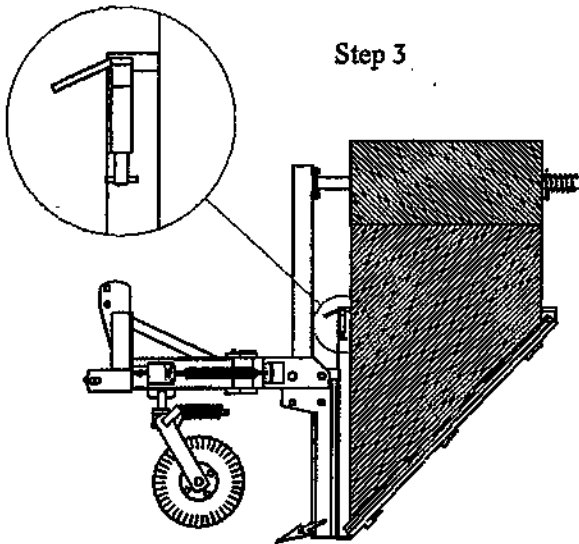


Step 2

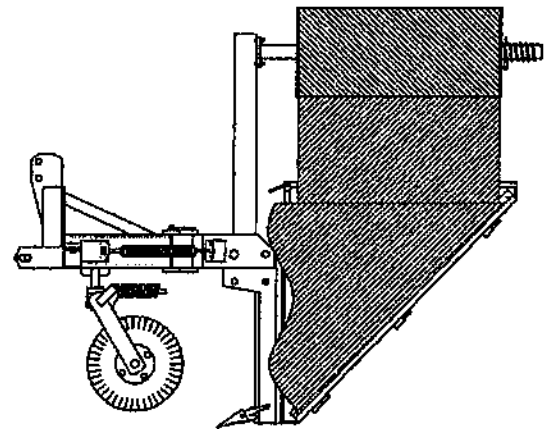


After you have "The Silt Fence Plow"
Mounted to the tractor or skid loader,
Install the roll of fabric

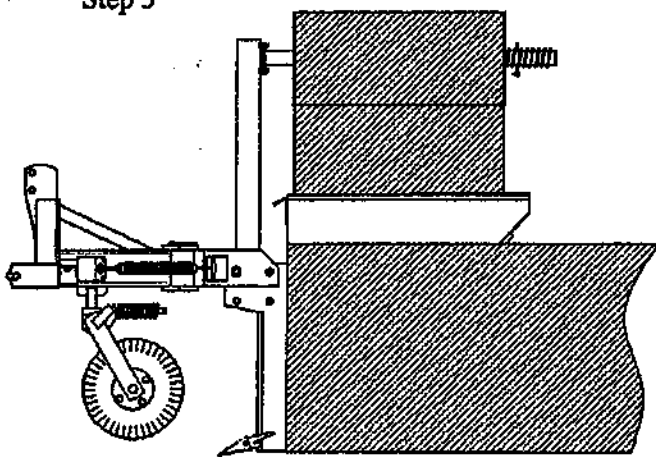
Step 3



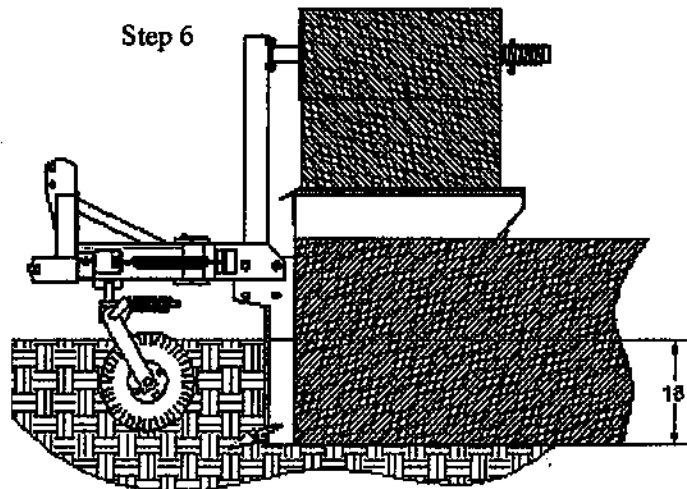
Step 4

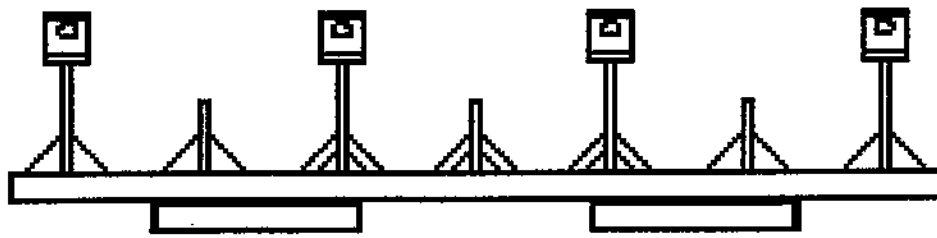


Step 5

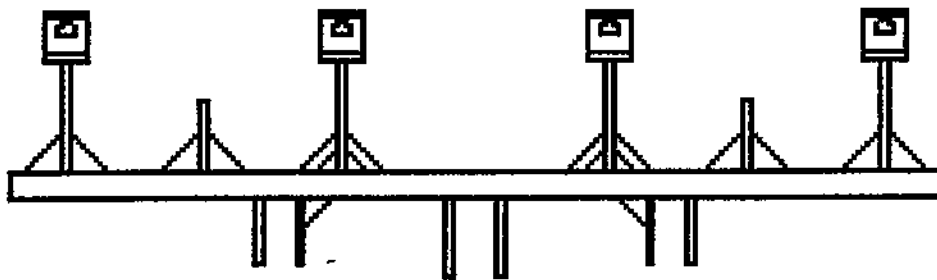


Step 6

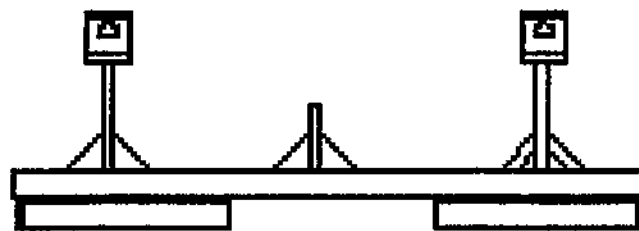




OSP-1051 OFFSET SKID STEER PLATE

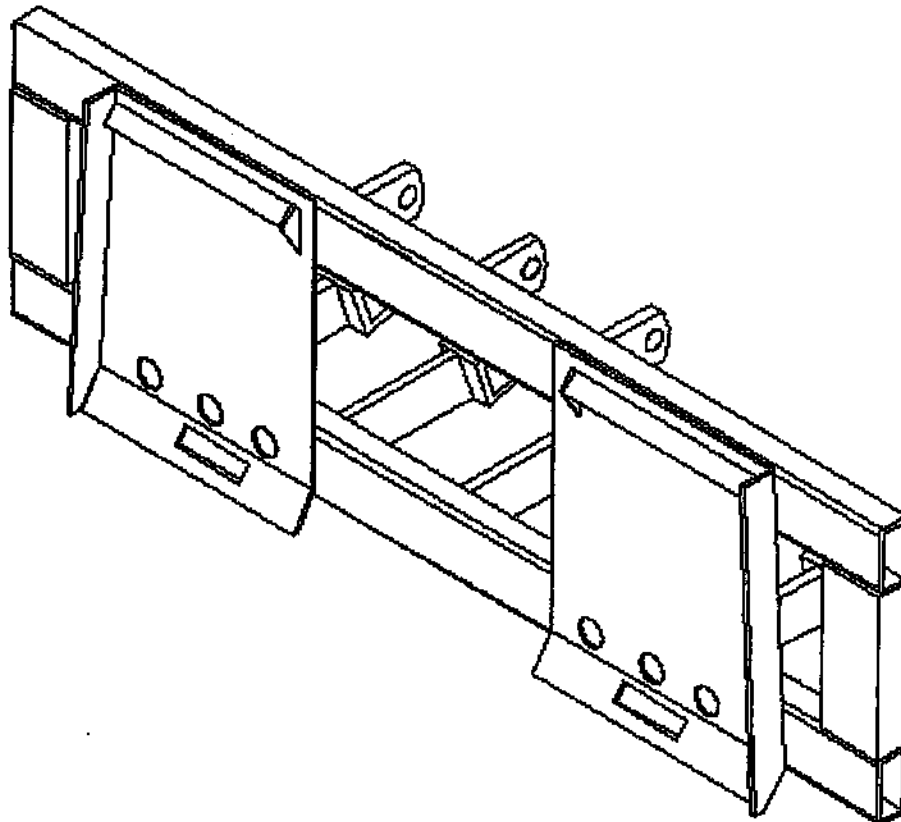
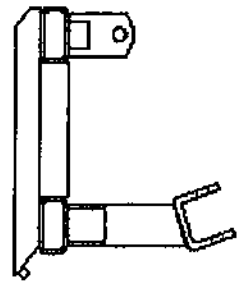
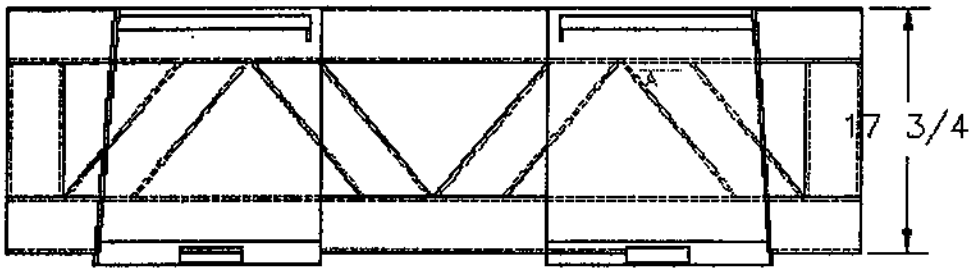
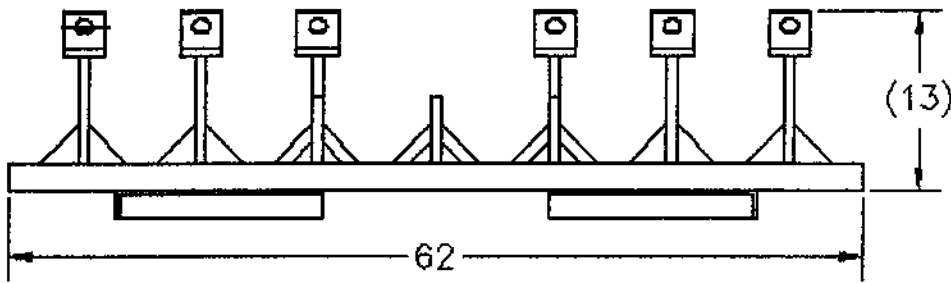


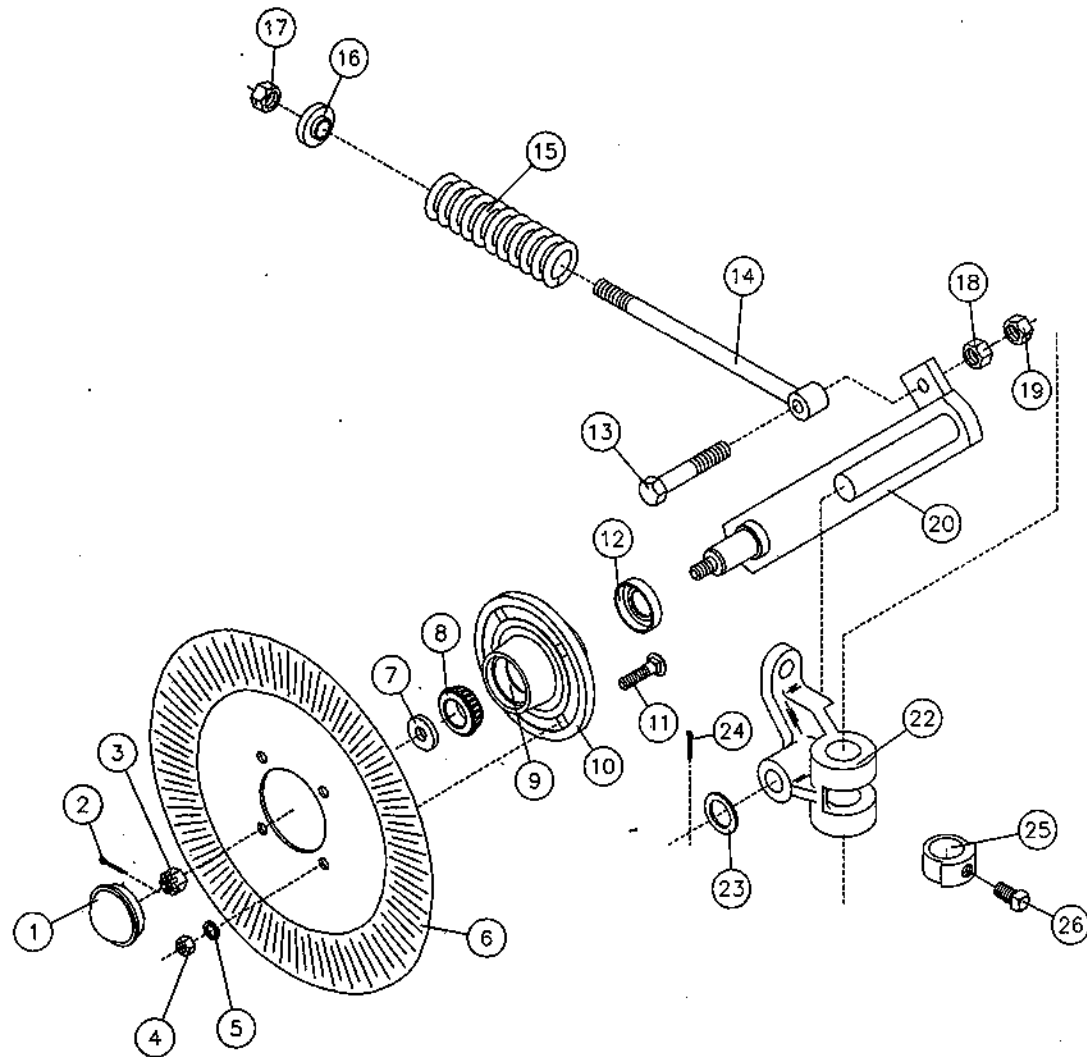
OSP-1051 OFFSET TRACTOR PLATE



OSP-1050 SKID STEER PLATE

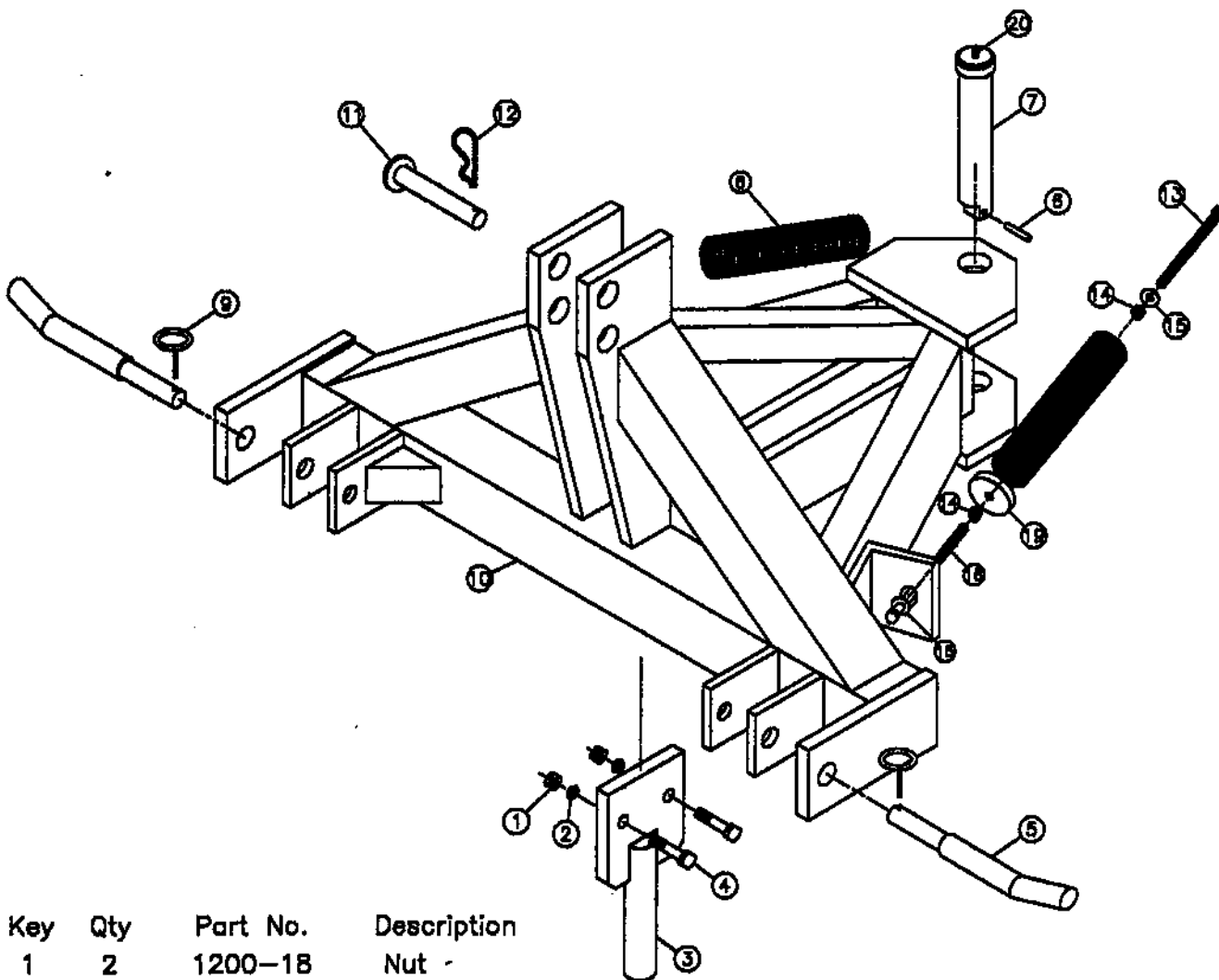
Skid Loader Offset



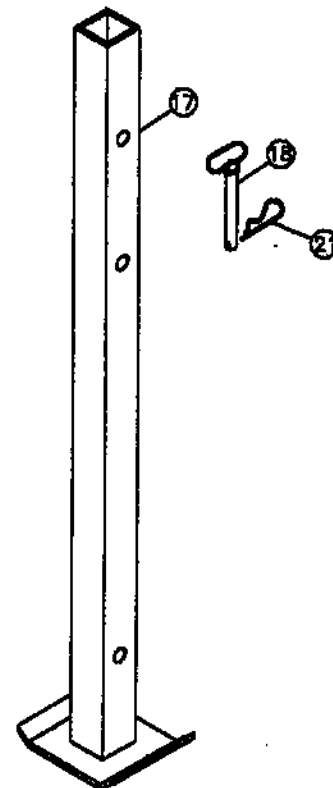


1359-1

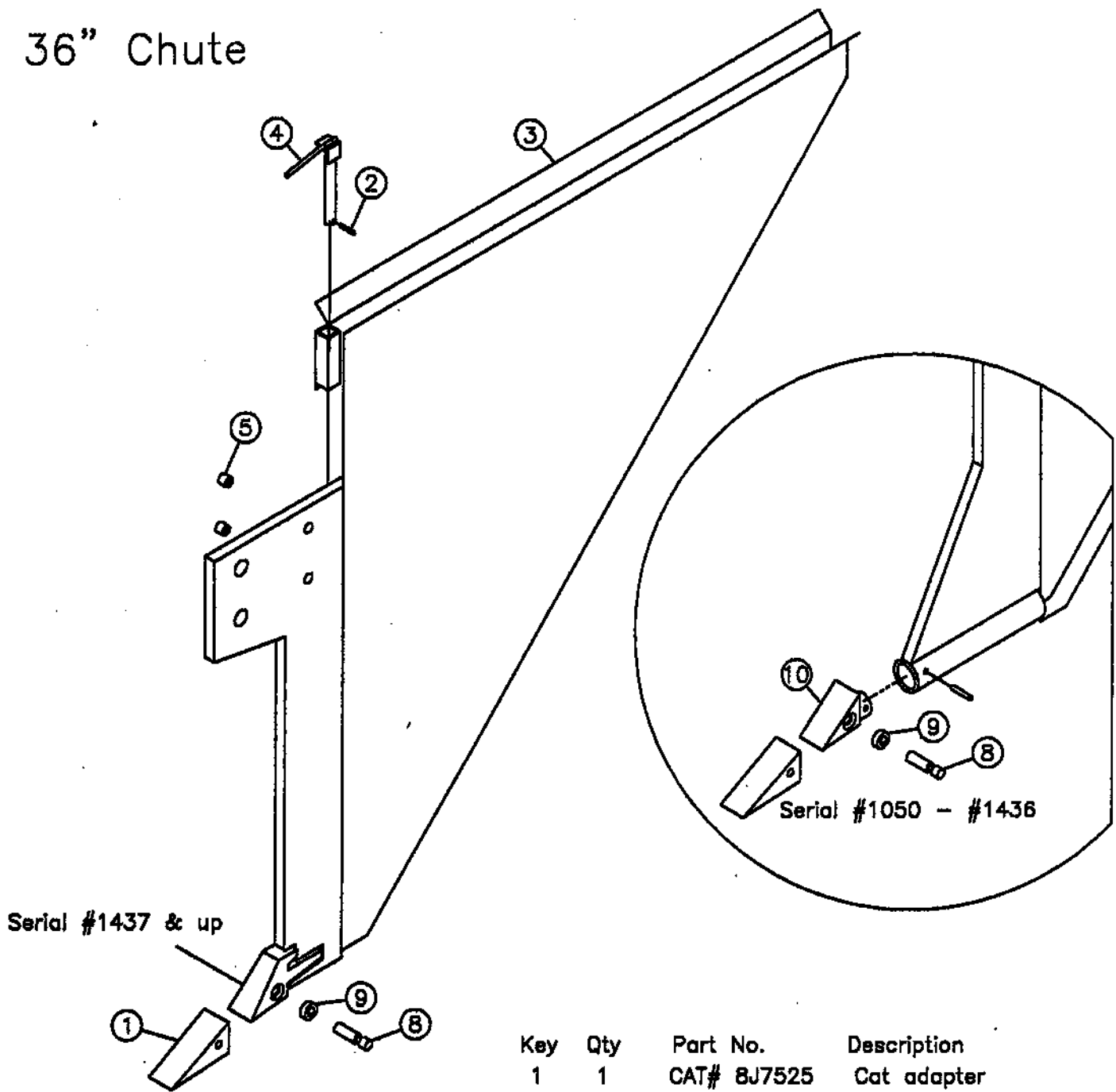
Key	Qty	Part No.	Description
1	1	2570-375	HUB CAP
2	1	2531-102	1/8 X 1 1/4 COTTER PIN BLACK
3	1	2520-469	5/8-1/ SLOTTED HEX NUT, BLACK
4	4	2520-352	1/2-13 HEX NUT ZP
5	4	2525-352	1/2 MED LOCKWASHER ZP
6	1	2571-161	.157 X 15.94" RIPPLE BLADE
7	1	2526-449	5/8 FLATWASHER, 1/4 ±.010 THK
8	2	2550-027	CONE, LM67048
9	2	2550-029	CUP (PRE-ASSEM. W/ NO. 18)
10	1	2900-102	HUB SUB-ASSEMBLY
11	4	2505-337	1/2-13 X 1 1/4 CAR BLT GR 5 ZP
12	1	2250-115	SEAL CR 16069
13	1	2502-410	3/4-16 X 3" HHCS GR 5 ZP
14	1	2570-125	PRESSURE ROD, 9 3/8" EYEBOLT
15	1	2550-708	7/16 WIRE 2 1/8 OD X 1 1/4 ID X 7 1/4 C SPRING
16	1	2555-112	2910 SPRING BUSHING CASTING
17	1	2520-515	3/4-10 LOCK HEX NUT ZP
18	1	2520-508	3/4-16 HEX NUT ZP
19	1	2520-511	3/4-16 LOCK HEX NUT ZP
20	1	2910-201	COULTER ARM W.A.
21	1	2990-318	16" STRAIGHT SHANK
22	1	2910-320	PIVOT CASTING ASS'Y
23	1	2526-561	1 17/64ID X 1 7/8OD X 14GA MB BL
24	1	2531-125	1/4 X 1 3/4 COTTER PIN ZP
25	1	2910-301	LOCKING COLLAR PLOW COULTER
26	1	2503-379	5/8-11 X 1 SQ HCPSS GR 5 ZP
27	1	2531-161	5/16 X 2 1/2 COTTER PIN ZP
28	1	2530-208	3/8 X 2 1/2 ROLL PIN ZP



Key	Qty	Part No.	Description
1	2	1200-18	Nut -
2	2	1200-19	Lock Washer
3	1	201010	Attachment Shaft for Coulter
4	2	1200-20	Bolt
5	2	201028	Cat. 1 & 2 3-point Pin
6	1	1200-21	Roll Pin
7	1	201014	Pin Pivot Point
8	2	1000-22	Side Pivot Spring
9	2	1200-23	Pin
10	1	1200-24	Frame Assembly
11	1	1200-14	1" x 6" Top Link Pin
12	1	1200-15	Cotter Pin
13	1	1200-27	1/2" x 6" Bolt
14	4	1200-28	1/2" Nut
15	4	1200-29	1/2" Flat Washer
16	1	1200-30	1/2" x 6" Bolt Full Threads
17	2	201018	Leg Silt Fence Plow
18	2	1200-32	1/2" x 4" Hitch Pin w\Hair pin
19	4	1200-33	Threaded Block For Spring
20	1	1200-42	Grease Zerk
21	1	1200-43	Cotter Pin



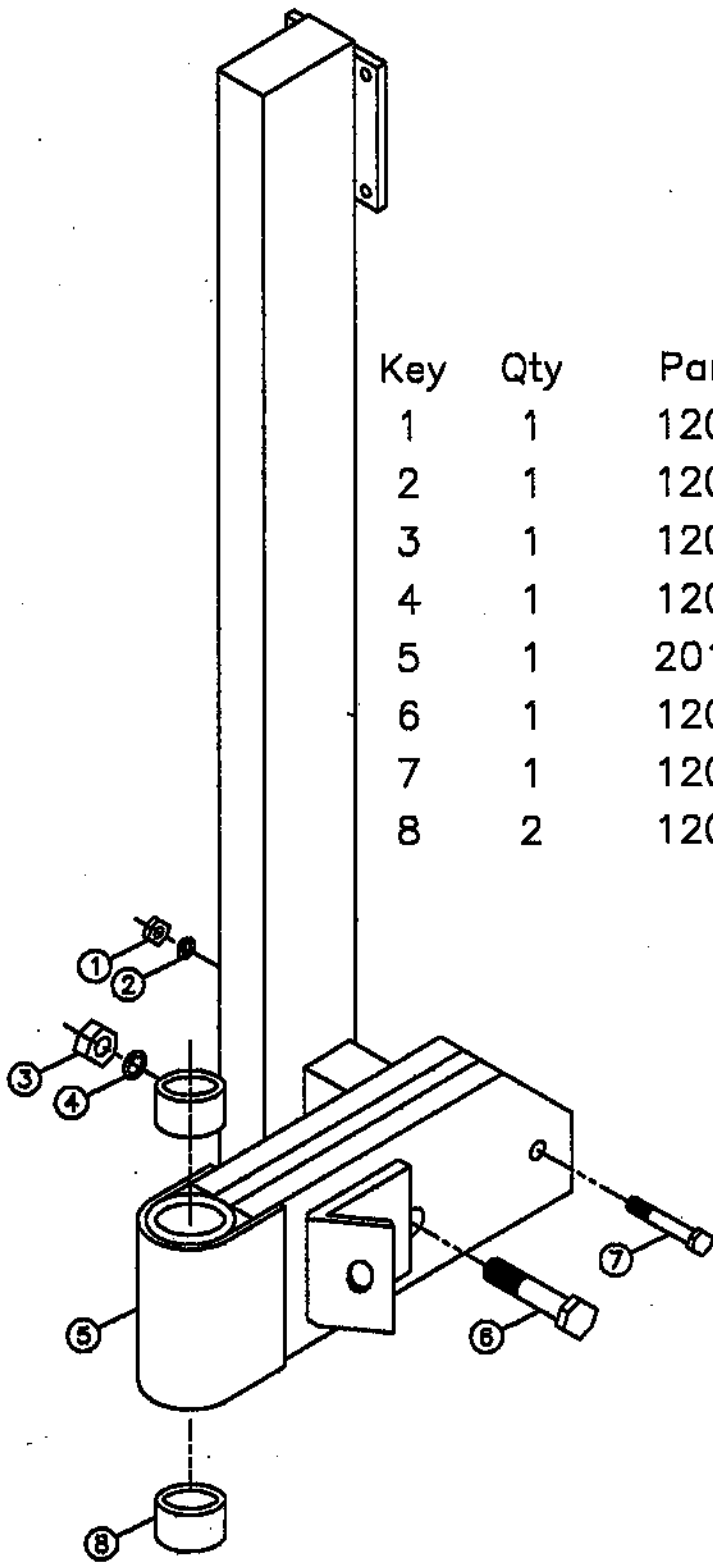
36" Chute



Key	Qty	Part No.	Description
1	1	CAT# 8J7525	Cat adapter
2	1	1200-19	Roll Pin
3	1	1000-34	36" Chute Assembly
4	1	201030	Pin For Gate
5	2	1200-25	Shear Bolt Bushing
6	1	1000-38	Fabric Curtain 36"
7	1	CAT# 1U3202	Forged Tooth
8	1	CAT# 8E6208	Pin for Tooth
9	1	CAT# 8E6209	Retainer for Tooth
10	1	1000-37	Retrofit Adapter

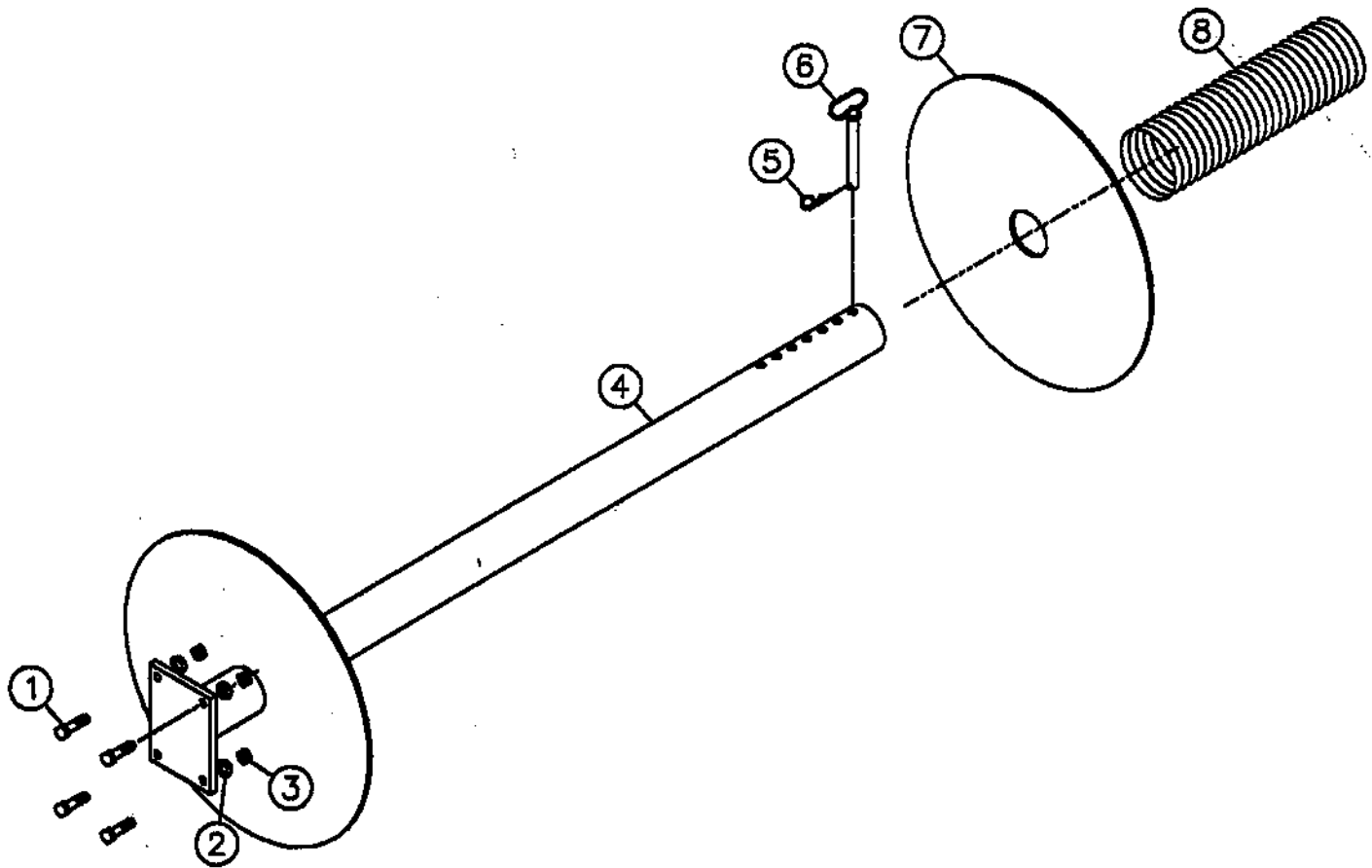
CAT #S AVAILABLE FROM CATERPILLAR DEALER

36" & 42" Chute



Key	Qty	Part No.	Description
1	1	1200-01	5/8" Nut
2	1	1200-02	5/8" Lock Washer
3	1	1200-03	1" Nut
4	1	1200-04	1" Lock Washer
5	1	201017	Pivot Assy 36" & 42"
6	1	1200-05	1" X 4" Bolt
7	1	1200-06	5/8" X 4" Shear Bolt
8	2	1200-26	Replacable Bushing

36" Fabric rod holder



Key	Qty	Part No.	Description
1	4	1200-07	3/8" X 1 1/2" Bolt
2	4	1200-08	3/8" Lock Washer
3	4	1200-09	3/8" Nut
4	1	201021	36" Fabric Rod Holder
5	1	1200-10	Cotter Pin